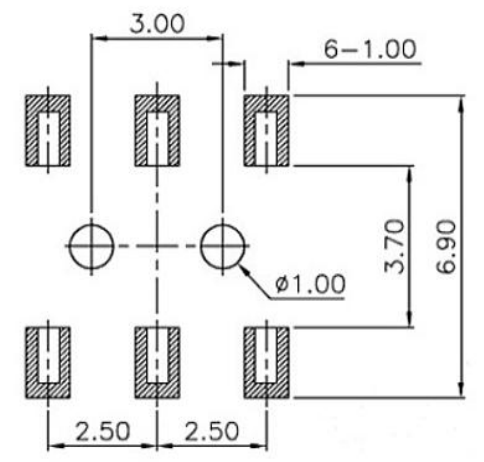
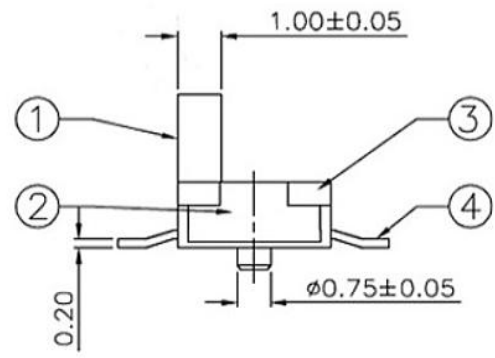
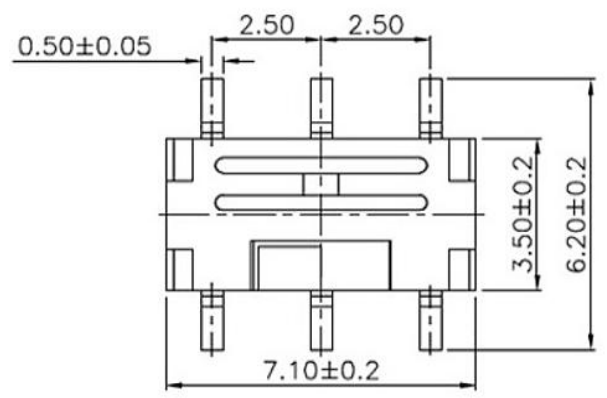
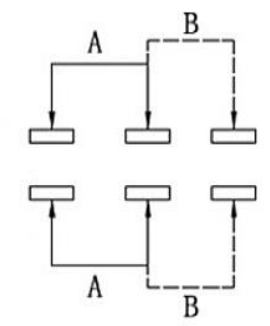
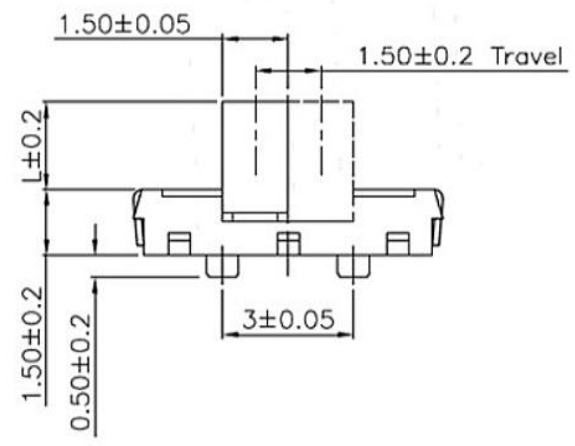


CAD FILE:



PCB Layout(Pattern side)



Circuit Diagram

注: "*"表示关键尺寸(6个)

NO.	PARTS	MATERIALS	Q'TY	FINISH	TOLERANCE UNLESS SPECIFIED		TITLE : SLIDE SWITCH		UNIT : mm	DRWG NO.:	
8											
7	STEEL BALL	STEEL	1	NATURAL							
6	SPRING	STEEL WIRE	1	NATURAL							
5	CONTACT CLIP	PBS STRIP	2	Ag PLATED	WITHIN	A	2012-10-26			初版	
4	TERMINAL	BRASS STRIP	8	Ag PLATED	OVER	ISSUE	DATE			DESCRIPTIONS OF REVISION	
3	BASE	PHENOLIC RESIN	1	NATURAL						APPD.	
2	FRAME	STEEL STRIP	1	Ni PLATED							
1	KNOB	POM	1	BLACK							
					MODEL:				SCALE: 3:1	DWN.	2012-10-26
					東莞市高迪電子有限公司				CHK'D		2012-10-26
					DONGGUAN GAODI ELECTRONICS CO., LTD.				APPD.		